

Dimensions

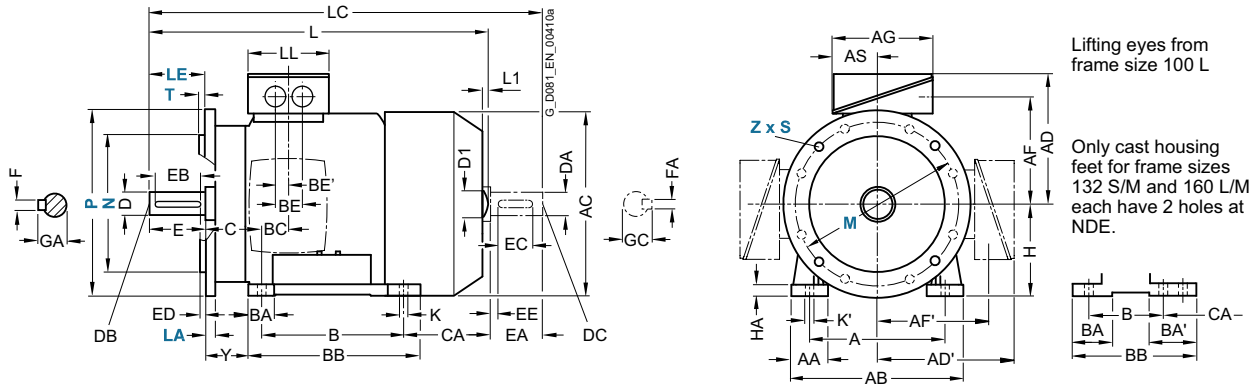
SIMOTICS SD 1LE1 standard motors

Cast-iron series, self-ventilated – IE3, NEMA Premium Efficient · Frame sizes 71 M to 160 L

Dimensional drawings (continued)

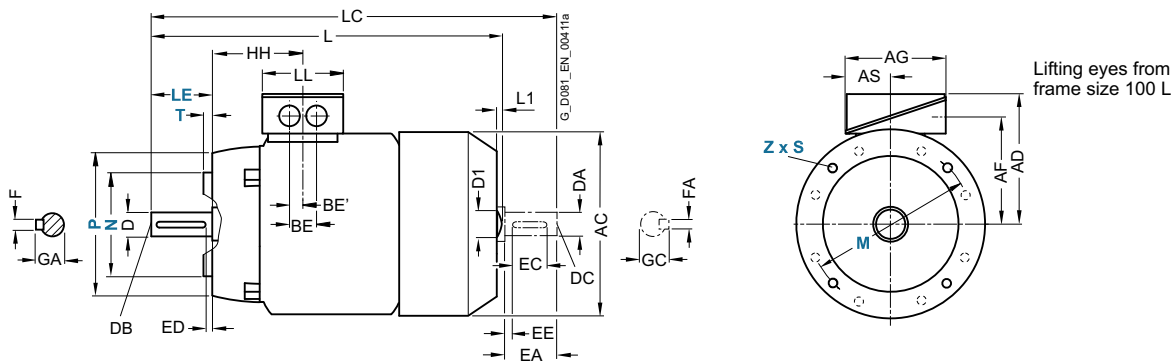
Type of construction IM B35

For flange dimensions, see page 1/53 (Z = the number of retaining holes)



Type of construction IM B14

For flange dimensions, see page 1/53 (Z = the number of retaining holes)



For motor			Dimension designation acc. to IEC							DE shaft extension						NDE shaft extension										
Frame size	Motor type	No. of poles	HH	K	K'	L ¹⁾	L ¹⁾²⁾	D1	LC	LL	D	DB	E	EB	ED	F	GA	DA	DC	EA	EC	EE	FA	GC		
71 M	1LE15.3-0..0, 0..2	2, 4, 6	64.5	7.5	7.5	240	-	-	278	102	14	M5	30	22	4	5	16	14	M5	30	22	4	5	16		
	1LE16.3-0..0, 0..3																								280	318
80 M	1LE15.3-0..0, 0..2	2, 4, 6	71.5	10	10	292	-	-	343	102	19	M6	40	32	4	6	21.5	19	M6	40	32	4	6	21.5		
	1LE16.3-0..0, 0..3																								327	378
90 S	1LE15.3-0..0, 0..2	2, 4, 6	79.5	10	10	347	-	-	405	102	24	M8	50	40	5	8	27	19	M6	40	27	4	6	21.5		
90 L	1LE15.3	2, 4, 6	79.5	10	10	387	-	-	445	102	24	M8	50	40	5	8	27	19	M6	40	27	4	6	21.5		
100 L	1AA4, 1AB4, 1AB5	2, 4	100.5	12	16	432.5	7	32	489	134	28	M10	60	50	5	8	31	24	M8	50	40	5	8	27		
	1AC4	6																							397	342.5
112 M	All	2, 4, 6	100.5	12	16	415.5	7	32	475	134	28	M10	60	50	5	8	31	24	M8	50	40	5	8	27		
132 S	1CA0, 1CC0	2, 6	115.5	12	16	466.5	8.5	39	535.5	134	38	M12	80	70	5	10	41	28	M10	60	50	5	8	31		
	1CA1, 1CB0	2, 4																							516.5	585.5
	1CC2	6																							115.5	12
	1CB2, 1CC3	4, 6				516.5			585.5																	
	1CB6	4				567.5	-		630.5																	
160 M	All	2, 4, 6	145	14.5	18	606	10	45	730	165	42	M16	110	90	10	12	45	42	M16	110	90	10	12	45		
160 L	All	2, 4, 6	145	14.5	18	666	10	45	790	165	42	M16	110	90	10	12	45	42	M16	110	90	10	12	45		

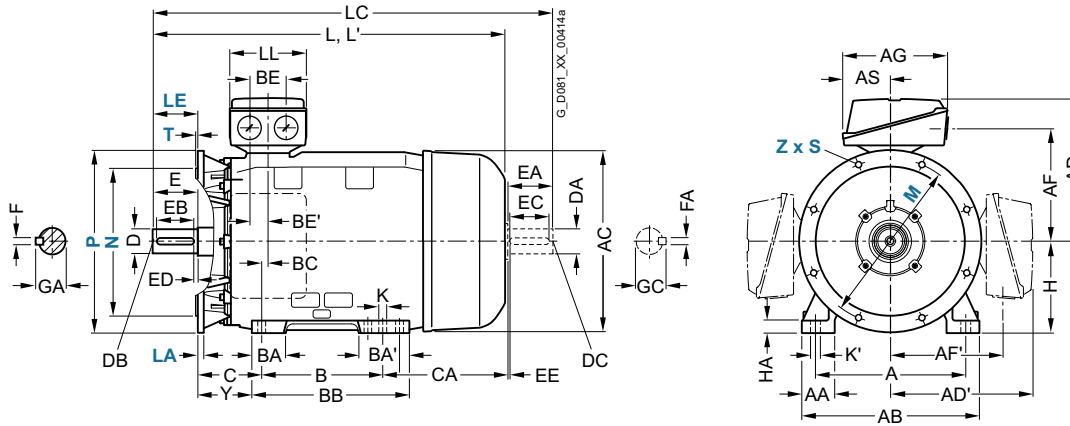
1) For 1LE16 motors less dimension L1.

2) Only for 1LE15 motors.

Dimensional drawings (continued)

Type of construction IM B35

For flange dimensions, see page 1/53 (**Z** = the number of retaining holes)



For motor Motor type 1LE1503-, 1LE1523-, 1LE1543- 1LE1603-, 1LE1623-, 1LE1643-	Dimension designation acc. to IEC							DE shaft extension							NDE shaft extension								
	H	HA	Y	HH	K	K'	L	LC ¹⁾	LL	D	DB	E	EB	ED	F	GA	DA	DC	EA	EC	EE	FA	GC
1EB2, 1EC4 1EA2, 1EB4	180	20	95	155	15	19	668 698	784 814	164	48	M16	110	100	5	14	51.5	48	M16	110	100	5	14	51.5
2AA4, 2AC4 2AA5, 2AB5, 2AC5	200	25	108	164	19	25	721 746	835 860	197	55	M20	110	100	5	16	59	55	M20	110	100	5	16	59
2BB0 2BA2 2BB2, 2BC2	225	34	124	164	19	25	788 818 848	903 933 963	197	60	M20	140	125	10	18	64	55	M20	110	100	5	16	59
2CA2 2CB2, 2CC2	250	40	138	192	24	30	887 1032	1002 1032	233	60	M20	140	125	10	18	64 69	55 60	M20	110 140	100 125	5 10	16 18	59 64
2DA0 2DB0, 2DC0 2DC2 2DA2 2DB2	280	40	160	210	24	30	960 1070	1105 1215	233	65 75	M20	140	125	10	18 20	69 79.5	60 65	M20	140	125	10	18	64 69 64 69
3AA0 3AB0, 3AC0 3AA2 3AB2, 3AC2 3AA4 3AB4, 3AC4 3AA5 3AB5, 3AC5, 3AC6	315	50	181	238	28	35	1052 1082 1217 1247 1217 1247 1372 1402	1197 1227 1362 1392 1362 1392 1517 1547	299 80 65 80 65 80 65 80	65	M20	140	125	10	18	69 85 69 85 69 85 69 70	60 70 60 70 60 70 60 70	M20	140	125	10	18	64 74.5 64 74.5 64 74.5 64 74.5

¹⁾ In the low-noise version, a second shaft extension and/or mounted encoder is not possible.